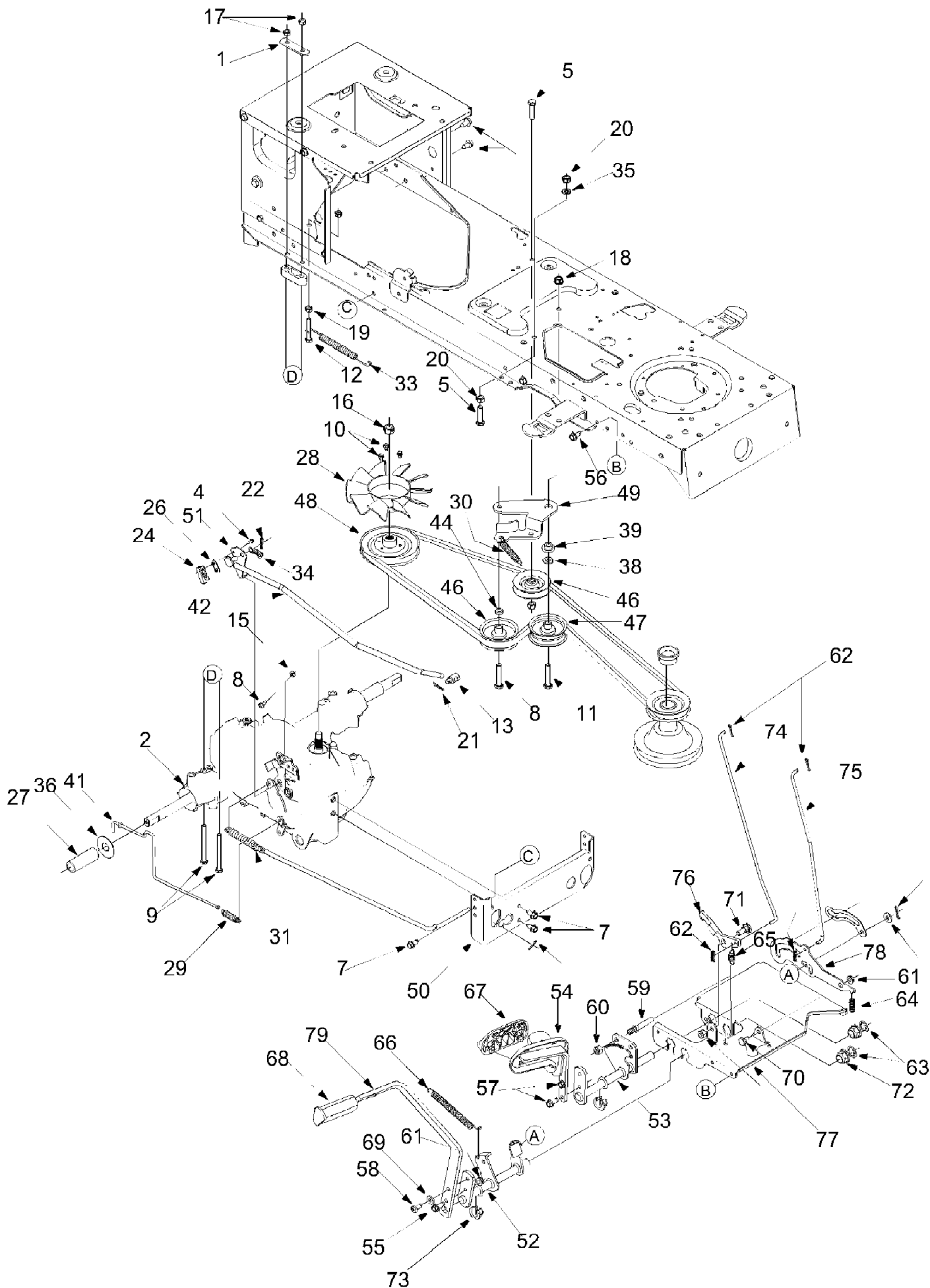


13AJ616G790 LT-1855H (2004)  
Deck Assembly

Page 2 of 18

Ref #	Part Number	Qty	S/P/F	Description
1	711-04069	1	S	Grass Catcher Pin, 1/4-20
2	618-0574	1	S	Spindle Assembly, 5.75 Dia. w/ Fitting
	756-0980	1		Pulley Only
3	683-04051A	1		42-inch Deck Shell
4	683-0254	1	S	Deck Adjustment Bracket w/ Weld Nut
5	736-0140	1	S	Flat Washer, .385 x .62 x .063
6	710-0520	1	/P	Hex Cap Screw, 1/4-20 x 1.5
7	710-0528	1	/P	Hex Cap Screw, 5/16-18 x 1.25
8	710-0726	1	/P	Self-Tapping Screw, 5/16-12 x .75
9	710-0751	1	/P	Hex Cap Screw, 1/4-20 x .62
10	710-1238	1	/P	Hex Head Washer Screw, 5/16-18 x .875
11	710-0650	1	/P	Self-Tapping Screw, 5/16-18 x .875
12	710-3151	1	/P	Hex Cap Screw, 5/8-18 x .875
13	712-0337	1		Hex Nut, 5/8-18
14	712-0417A	1	/P	Hex Flange Nut, 5/8-18
15	712-0431	1	S	Flange Nut, 3/8-16
16	712-0429	1	S	Lock Nut, 5/16-18
17	712-3006	1	/P	Hex Nut, 1/4-20
18	712-0324	1	/P	Hex Lock Nut, 1/4-20
19	714-0470	1	S	Cotter Pin, 1/8 x 1.25
20	716-3020	1	S	Internal Snap Ring
21	717-04074	1	S	Deck Adjustment Gear
22	726-0233	1	/P	Push Nut. .25 x .5
23	731-1032B	1	S	Side Discharge Chute Assembly
24	731-2486	1	S	Belt Cover
25	732-0306A	1	S	Compression Spring, .406 x .531 x 1.75
26	732-0470A	1	S	Extension Spring, .50 x 4.74
27	734-0973	1	/P	Deck Wheel, 5 x 1.38
28	712-0641	1	S	Hex Nut, M-16 x 1.5
29	736-0119	1	S	Lock Washer, 5/16
30	736-0158	1	S	Lock Washer, 5/8
31	736-0162	1	/P	Flat Washer, .64 x 1.0 x .12
32	736-0270	1	/P	Bell Washer, .265 x .75 x .062
33	738-0373	1	S	Shoulder Screw, .498 x 1.53
34	741-0524	1	S	Bearing, .625 x 1.574 x .470
35	742-0616A	1	S	Three-in-one Blade, Star Center, 21.23"
36	747-1116	1	/P	Deck Release Pin
37	748-0331	1	S	Shoulder Spacer, .625 x .324
38	750-0932A	1	S	Spacer, .635 x .88 x 1.72
39	683-0440	1		Deck Brake Assembly
40	754-0498	1	S	Deck Belt
41	756-0627B	1	S	Idler Pulley, 3.5
42	756-1202	1		Double Pulley, 5.0
43	710-1830	1		Self-Tapping Screw, 1/4-20 x 4.0
44	746-0970	1		Brake Cable, 5.05
45	783-1291	1	S	Idler Bracket
46	711-1534	1		Pin, 3/8-16, 3/8 x 3.27
48	737-04003B	1	S	Water Nozzle
	721-04041	1	S	Water Nozzle Adapter (Not shown)
49	736-0760	1	S	Lock Washer, 17 x 23.8 x 1.95



13AJ616G790 LT-1855H (2004)  
Drive

Page 4 of 18

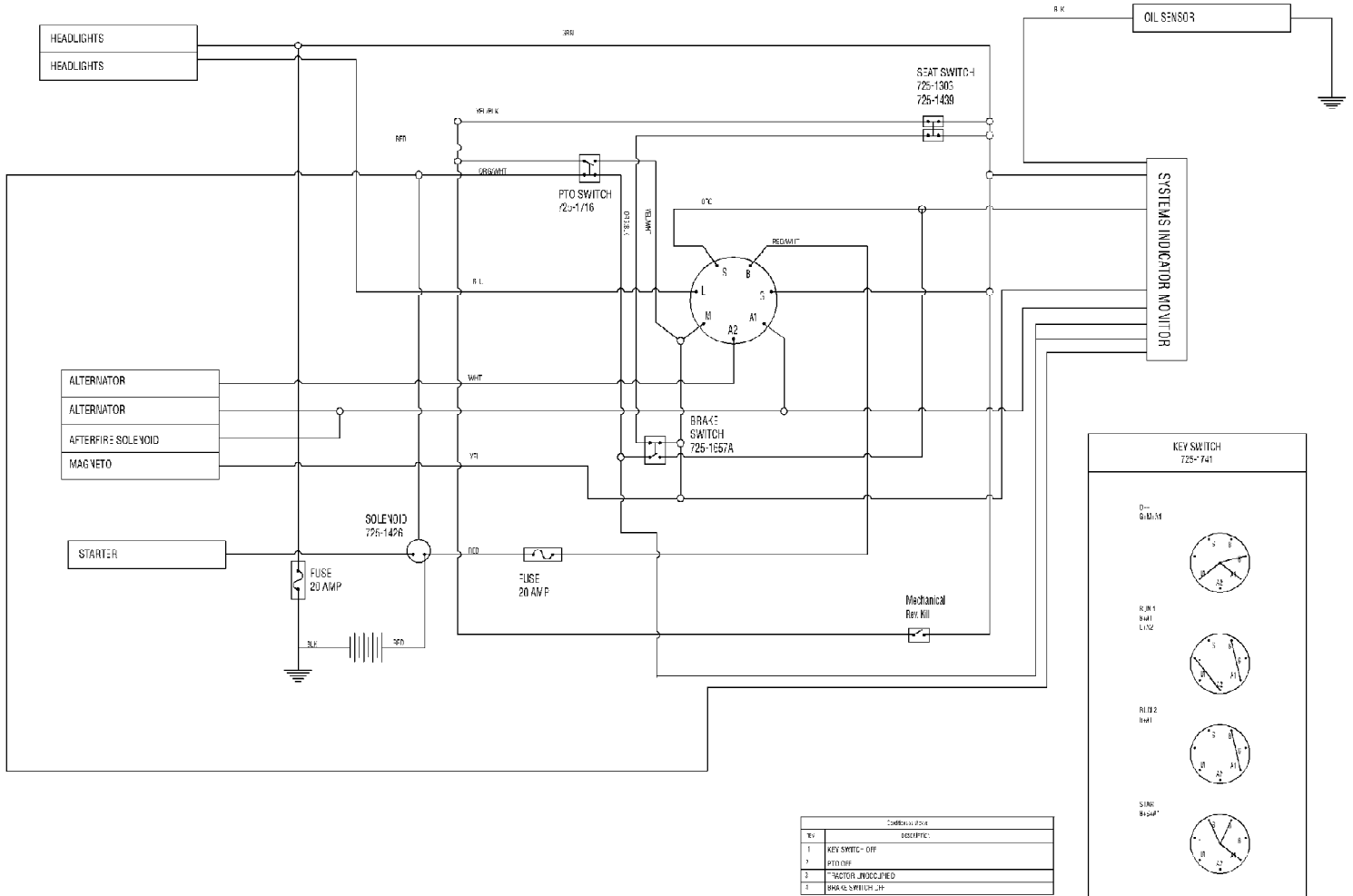
Ref #	Part Number	Qty	S/P/F	Description
1	17840	1	S	Mounting Bracket: Transaxle
2	618-0319	1	S	Transmission: Hydrostatic
3	629-0949A	1		Harness Assembly
4	710-0227	1	/P	AB Screw #8-18 x 0.5
5	710-0344	1	/P	Hex Bolt 3/8-16 x 1.5
6	710-0599	1	/P	TT Screw 1/4-20 x 0.5
7	710-0726	1	/P	AB Screw 5/16-12 x 0.75
8	710-1007	1	/P	TT Sems Screw 3/8-16 x 1.5
9	710-1266	1	/P	Hex Bolt 5/16-18 x 3.5
10	710-3007	1	/P	Carriage Screw
11	710-3011	1	/P	Hex Bolt 3/8-16 x 2.25
12	710-3103	1	/P	Hex Bolt 5/16-18 x 2.0
13	711-0832	1	S	Ferrule
14	712-0130	1	/P	Hex Lock Nut 3/8-16
15	712-0291	1	S	Hex Lock Nut 1/4-20
16	712-0333	1	S	Hex Nut 1/2-20
17	712-0429	1	S	Hex Lock Nut 5/16-18
18	712-0431	1	S	Flanged Lock Nut 3/8-16
19	712-3010	1	S	Hex Nut 5/16-18
20	712-3017	1	S	Hex Nut 3/8-16
21	714-0104	1	S	Cotter Pin
22	714-0111	1	S	Cotter Pin
23	725-0157	1	/P	Cable Tie (not shown)
24	725-1644	1		Switch
25	726-0154	1	S	Cable Tie (Not shown)
26	726-0320	1	S	Plate: Insulator Nut
27	731-04682	1		Sleve: 0.758 x 0.821 x 1.5
28	731-1449A	1	S	Fan: Blade
29	732-0209	1	S	Extension Spring
30	732-0429A	1	S	Extension Spring
31	732-0716	1	S	Extension Spring
32	732-0729	1	/P	Wire Ring
33	732-0994	1		Extension Spring
34	732-3118	1		Extension Spring
35	736-0169	1	S	Lock Washer
36	736-0866	1		Flat Washer
37	736-0921	1	S	Lock Washer
38	736-3010	1		Flat Washer
39	738-0372B	1	/P	Shoulder Spacer
40	747-04139	1		Brake Rod
41	747-1149	1		Bypass Rod
42	747-1151	1		Control Rod
43	748-0334	1	S	Spacer: Transaxle
44	750-0535	1	S	Spacer
45	754-0349	1	S	V Belt
46	756-0116	1	S	Idler Pulley
47	756-0981A	1	S	Flat Idler Pulley
48	756-1166	1		Input Pulley
49	783-04442	1		Idler Bracket: Center Double
50	783-0810B	1	S	Torq Bracket
51	783-1019	1	S	Bracket: Actuator
52	647-0031C	1	S	Control Assembly: Brake
53	647-0049A	1	S	Control Assembly: Hydrostatic

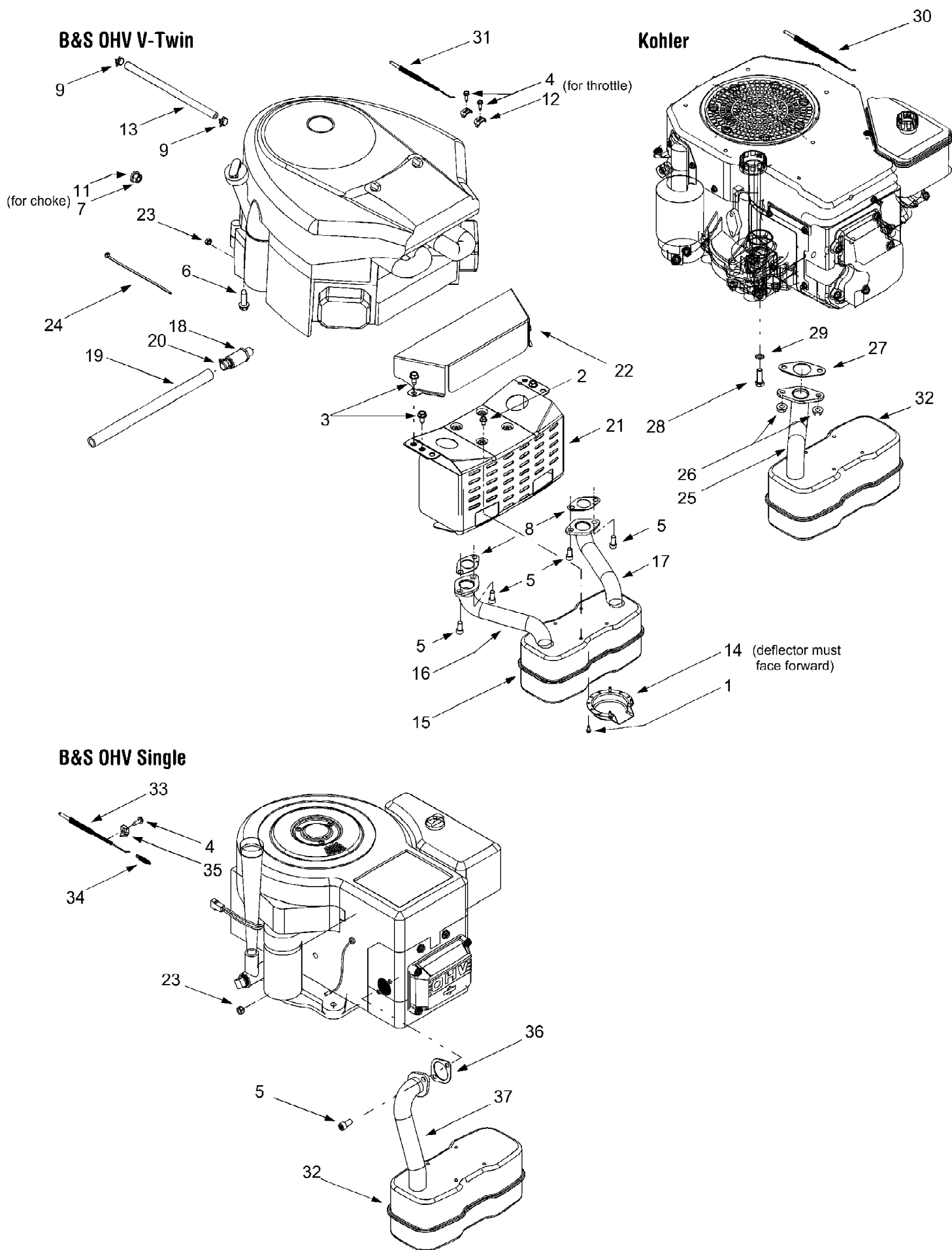
13AJ616G790 LT-1855H (2004)  
Drive

Page 5 of 18

Ref #	Part Number	Qty	S/P/F	Description
54	683-0267C	1	/P	Pedal Assembly
55	710-0650	1	/P	TT Screw 5/16-18 x 0.875
56	710-0726	1	/P	AB Screw 5/16-12 x 0.75
57	710-1260A	1	/P	LD Screw 5/16-18 x 0.75
58	710-1611B	1	/P	TT Screw 5/16-18 x 0.75
59	711-04159	1	S	Pin
60	712-0130	1	/P	Hex Lock Nut
61	712-3004A	1	/P	Flange Lock Nut 5/16-18
62	714-0104	1	S	Cotter Pin
63	726-04028	1		Push Nut
64	732-0335	1		Compression Spring
65	732-0955	1		Extension Spring
66	732-0963	1		Extension Spring
67	735-0662	1		Control Pedal
68	735-3049	1	S	Brake Control Pedal
69	736-3008	1	S	Flat Washer
70	738-0155	1	S	Shoulder Screw
71	738-0380	1	S	Shoulder Screw
72	741-0225	1	S	Hex Flange Bearing
73	741-3065B	1	/P	Hex Flange Bearing
74	747-04093	1		Control Rod: Brake Lock
75	747-04096	1		Cruise Control Rod
76	748-04039A	1	S	Cruise Latch
77	783-0653F	1	S	Support Bracket: Steering
78	783-0663E	1	/P	Lockout Bracket
79	783-0773A	1		Brake Pedal
	634-0104	1		Wheel Assembly Not Shown
	634-0070	1	/P	Rim Assembly Not Shown
	734-0255	1	S	Air Valve Not Shown
	734-1730	1		Tire Not Shown
	731-2290A	1	/P	Hub Cap Not Shown
	736-0430	1	/P	Flat Washer Not Shown

13AJ616G790 LT-1855H (2004)  
Electrical Diagram



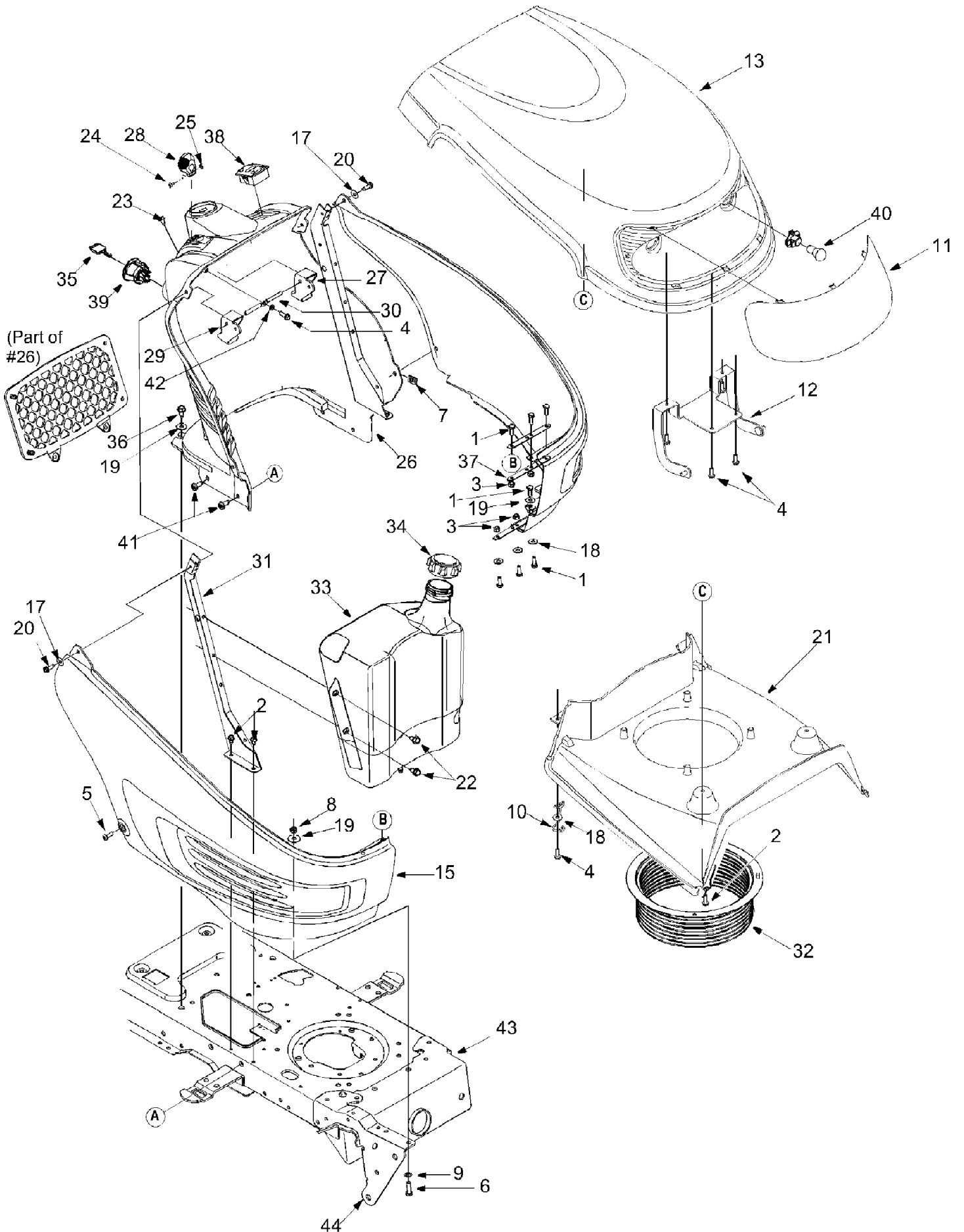


13AJ616G790 LT-1855H (2004)  
Engine Accessories

Page 8 of 18

Ref #	Part Number	Qty	S/P/F	Description
1	710-0227	1	/P	Self-tapping Screw, #8-18 x.50
2	710-0599	1	/P	Self-tapping Screw, 1/4-20 x.50
3	710-0726	1	/P	Self-tapping Screw, 5/16-18 x.625
4	710-1237	1		Screw, #10-32 x.625 (B&S OHV V-Twin)
5	710-1314A	1	/P	Socket Cap Screw, 5/16-18 x.625
6	710-1315	1	/P	Self-tapping Screw, 3/8-16 x 1.25
7	712-3017	1	S	Hex Nut, 3/8-16
8	721-0460	1		Exhaust Gasket (B&S OHV V-Twin)
9	726-0205	1	/P	Hose Clamp
10	751B213146	1	/P	Casing Clamp (B&S OHV Single)
11	736-0300	1	S	Lock Washer, .406 x.875 x.059
12	751B221535	1	/P	Casing Clamp (B&S OHV V-Twin)
13	751-0535	1		Fuel Line Hose
14	751-0564A	1	S	Muffler Deflector
15	751-0616A	1	S	Muffler, Twin Inlet (B&S OHV V-Twin)
16	751-0650A	1	S	RH Exhaust Pipe (B&S OHV V-Twin)
17	751-0651A	1	S	LH Exhaust Pipe (B&S OHV V-Twin)
18	751-3140	1	S	Oil Drain Valve
19	751-3141	1	S	Oil Drain Hose
20	751-3142	1		Oil Drain Cap
21	783-0615C	1	S	Muffler Heat Shield
22	783-0625C	1	/P	Engine Heat Shield (B&S OHV V-Twin)
23	712-0271	1	/P	Hex Sems Nut, 1/4-20 (B&S OHV V-Twin)
24	725-0157	1	/P	Cable Tie
25	751-0621	1	S	Exhaust Pipe (Kohler)
26	712-3086	1	/P	Flange Nut, 8mm (Kohler)
27	721-0375	1	S	Exhaust Gasket (Kohler)
28	710-3206A	1	/P	Hex Cap Screw, 8mm (Kohler)
29	736-0607	1	/P	External Lock Washer (Kohler)
30	746-1087	1	S	Throttle Cable (Kohler)
31	746-1086	1	S	Throttle Cable (B&S OHV V-Twin)
32	751-0617A	1	S	Muffler, Single Inlet (Kohler)
33	746-1084	1	S	Throttle Cable (B&S OHV Single)
34	732-0966	1		Extension Spring, .275 x 1.25 (B&S OHV Single)
35	751B213146	1	/P	Casing Clamp (B&S OHV Single)
36	721-0208	1	S	Exhaust Gasket (B&S OHV Single)
37	751-0619A	1	/P	Exhaust Pipe (B&S OHV Single)



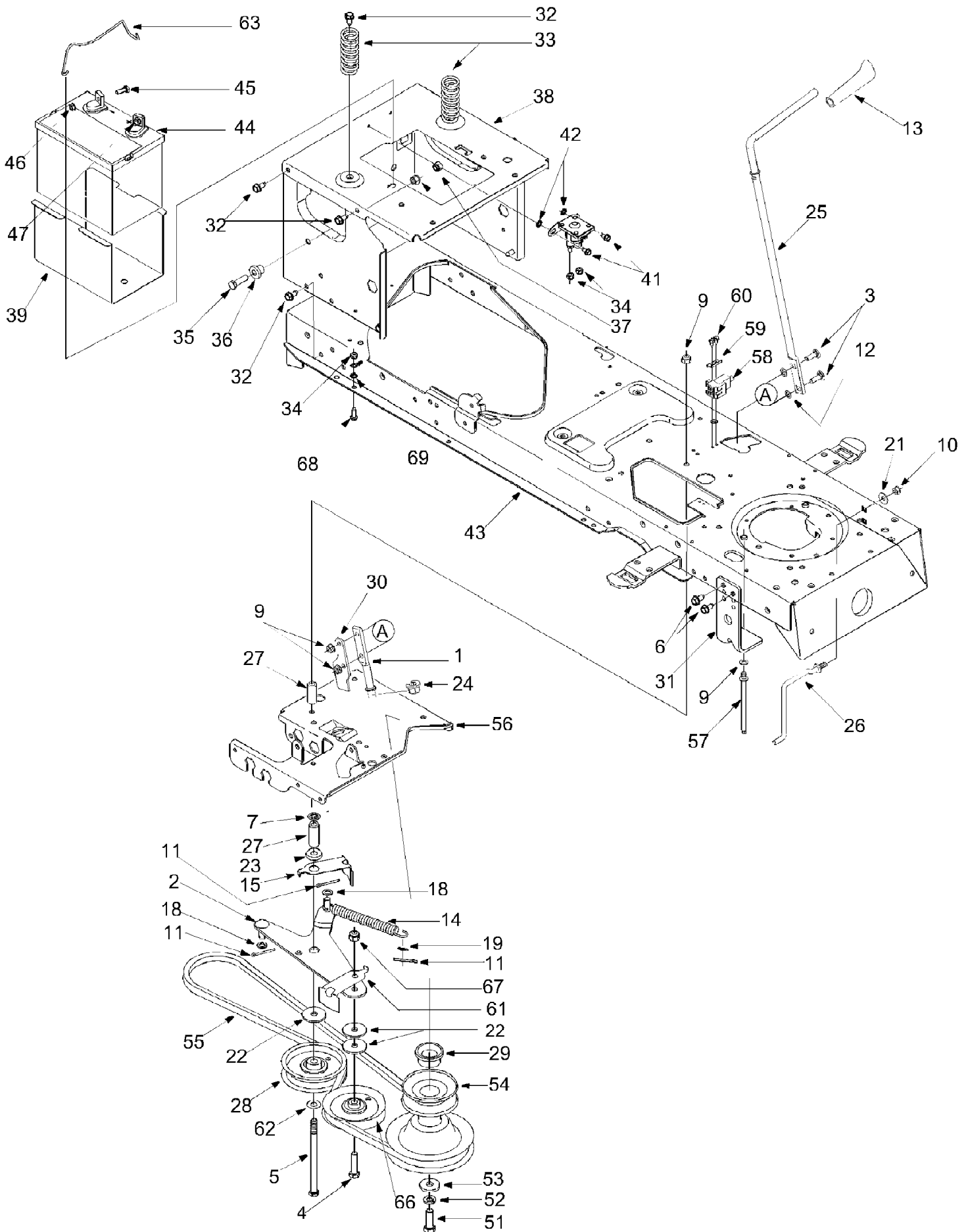


13AJ616G790 LT-1855H (2004)  
Hood Assembly

Page 10 of 18

Ref #	Part Number	Qty	S/P/F	Description
1	710-3015	1	/P	Hex Cap Screw, 1/4-20 x .75
2	710-0599	1	/P	Self-tapping Screw, 1/4-20 x .5
3	712-0324	1	/P	Lock Nut, 1/4-20
4	710-0895	1		Self-tapping Screw, 1/4-15 x .75
5	710-0924	1	/P	Pan Phillips Screw, 1/4-20 x .75
6	710-0376	1	/P	Hex Cap Screw, 5/16-18 x 1.0
7	712-0292	1	/P	U-type Speed Nut, 1/4-20
8	712-0429	1	S	Lock Nut, 5/16-18
9	726-0201	1		Speed Nut
10	747-2127	1		Hood Latch Rod
11	731-2286	1	S	Head Light Lens
12	683-0305	1	S	Hood Bracket Assembly
13	731-2283A	1	S	Hood
14	731-2327A	1	S	LH Side Panel
15	731-2328A	1	S	RH Side Panel
16	736-0329	1	S	Lock Washer, 1/4
17	736-0342	1		Flat Washer, .283 x .75 x .030
18	736-0173	1	/P	Flat Washer, .28 x .74 x .063
19	736-3078	1	/P	Flat Washer, .349 x 1.0 x .063
20	710-0809	1		Self-Tapping Screw, 1/4-20 x 1.25
21	731-2284	1		Hood Plenum w/o Intake Bellow
22	710-0604A	1	/P	Self-Tapping Screw, 5/16-18 x .625
23	710-1017	1	/P	Torx Self-Tapping Screw, 1/4-14 x .625
24	710-3217	1	/P	Torx Screw, #8-32 x .375
25	712-0142	1	/P	Hex Nut, 8-32
26	731-0069D	1	S	Dash Panel, 4-style
26	735-04023	1		Cargo Net Not shown
26	726-04029	1		Clips Not shown
27	731-04214	1		Parking Brake Button
28	731-1857	1		Throttle Control Lever
29	731-04213	1		Cruise Control Button
30	747-1155	1		Brake/Cruise Pivot Rod
31	783-04285	1	S	Dash Support Plate RH
31	783-04323	1	S	Dash Support Plate LH
32	731-2232	1	S	Intake Bellow
33	751-0659C	1	S	Fuel Tank, 2-gallon
34	751-0603	1	S	Fuel Cap
35	725-1745	1	S	Ignition Key w/ plastic cover
35	725-1744	1	S	Ignition Key w/o plastic cover
36	710-0726	1	/P	Self-tapping Screw, 5/16-18 x .75
37	783-1000A	1	/P	Grille Support Bracket
38	725-04036	1	S	Systems Indicator Monitor
39	725-1741	1	S	Ignition Switch
40	625-0051	1	S	Headlight Assembly
41	710-1611B	1	/P	Self-tapping Screw, 5/16-18 x .75
42	736-0142	1	S	Flat Washer
43	783-0728	1		Pivot Bar Bracket
44	783-0726B	1	S	Pivot Bracket Support RH
44	783-0727A	1	S	Pivot Bracket Support LH
	629-04083	1	S	Headlight Wire Harness Not shown
	629-04075	1	/P	Tractor Wire Harness Not shown

13AJ616G790 LT-1855H (2004)  
PTO Drive, Battery, Lower Frame



13AJ616G790 LT-1855H (2004)  
PTO Drive, Battery, Lower Frame

Page 12 of 18

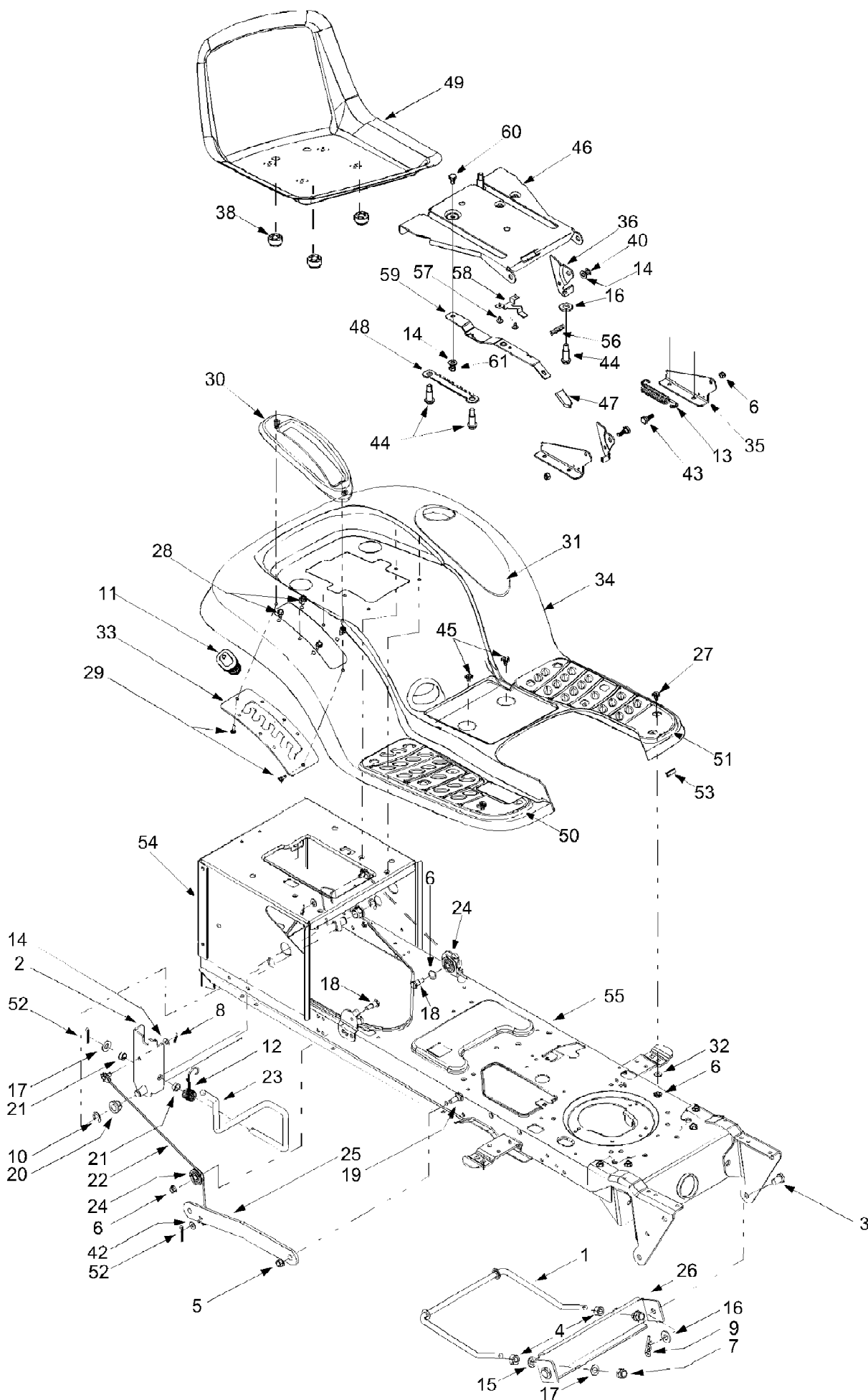
Ref #	Part Number	Qty	S/P/F	Description
1	647-0064	1	/P	PTO Engage Lever Assembly
2	683-0450	1	/P	PTO Engage Plate Assembly
3	710-0276	1	/P	Carriage Screw, 5/16-18 x 1.00
4	710-0520	1	/P	Hex Cap Screw 3/8-16 x 1.5
5	710-0831	1		Hex Cap Screw, 3/8-16 x 5.5
6	710-0726	1	/P	AB Screw 5/16-12 x 0.75
7	712-0229	1		Push Nut, 3/8
9	712-3004A	1	/P	Flange Lock Nut, 5/16-18
10	712-3010	1	S	Hex Nut, 5/16-18
11	714-0470	1	S	Cotter Pin, 1/8 x 1.25
12	726-0201	1		Speed Nut, .3125
13	731-2111A	1	S	PTO Knob
14	732-1170	1		Extension Spring, .75 x 6.75
15	732-0991A	1	/P	Belt Guard
17	736-0119	1	S	Lock Washer, 5/16
18	736-0140	1	S	Flat Washer, .385 x .62 x .063
19	736-0275	1	S	Flat Washer, 5/16
21	736-0242	1	/P	Bell Washer
22	736-3039	1	S	Flat Washer
23	738-0372B	1	/P	Shoulder Spacer, .380
24	741-0708	1		Hex Split Flange Bearing, .5
25	747-1112D	1	S	PTO Engage Handle
26	747-1286A	1	/P	Belt Keeper Rod
27	748-0415A	1	S	Spacer, 3/8 x 1.54
28	756-0627B	1	S	Idler Pulley, 3.5
29	750-0956	1		Spacer
30	783-0744A	1		Engagement Stop
31	783-0891B	1		Deck Stop
32	710-0604A	1	/P	Self Tapping Screw, 5/16-18 x .625
33	732-04035	1		Compression Spring, 1.28 x 3.125
34	712-0324	1	/P	Lock Nut 1/4-20
35	738-1020	1		Shoulder Screw, .625 x .5, 7/16-20
36	736-0407	1		Bell Washer, .45 x 1.0 x .062
37	712-0459	1	/P	Flange Lock Nut, 7/16-20
38	783-04329	1		Seat Bracket: Frame
39	783-0349	1		Battery Tray
40	725-1426	1	S	Solenoid, 12-Volt, 100 Amp
41	710-0599	1	/P	Self Tapping Screw, 1/4-20 x .5
42	736-0222	1	S	Lock Washer, 1/4
43	683-0304C	1		Lower Frame Assembly
44	725-1706A	1	S	12-volt Battery, 270 CCA
45	710-0751	1	/P	Hex Cap Screw, 1/4-20 x .62
46	712-0271	1	/P	Hex Sems Nut, 1/4-20
47	712-3044	1		Wing Nut, 1/4-20
48	732-1165	1	S	Extension Spring, .50 x 5.0
49	710-3180	1	/P	Hex Cap Screw, 5/16-18 x 1.75
50	750-0596	1		Spacer Cup
51	710-3029	1	/P	Hex Head Cap Screw, 7/16-20 x 1.25
52	736-0171	1	S	Lock Washer, 7/16
53	736-0322	1	/P	Flat Washer, .450 x 1.25
54	756-0983B	1	/P	Engine Pulley, 3.56 OD x 5.56
55	754-0497	1	S	V Belt
56	783-0653F	1	S	Starting Support Bracket

13AJ616G790 LT-1855H (2004)  
PTO Drive, Battery, Lower Frame

Page 13 of 18

Ref #	Part Number	Qty	S/P/F	Description
57	711-1044	1	S	Keeper Pin, 5/16 x 4.75
58	725-1657A	1	S	Switch
59	17962	1		Switch Plate
60	710-0224	1	S	Screw, #10-16 x .5
61	732-1013	1		Belt Guard
63	747-04121A	1		Battery Hold-Down Rod
66	756-1208	1		Idler Pulley
67	712-0130	1	/P	Hex Lock Nut 3/8-16
68	710-0642	1	/P	TT Screw 1/4-20 x 0.75
69	738-0143	1	/P	Shoulder Screw

13AJ616G790 LT-1855H (2004)  
Seat, Fender, Deck Stabilizer



13AJ616G790 LT-1855H (2004)  
Seat, Fender, Deck Stabilizer

Page 15 of 18

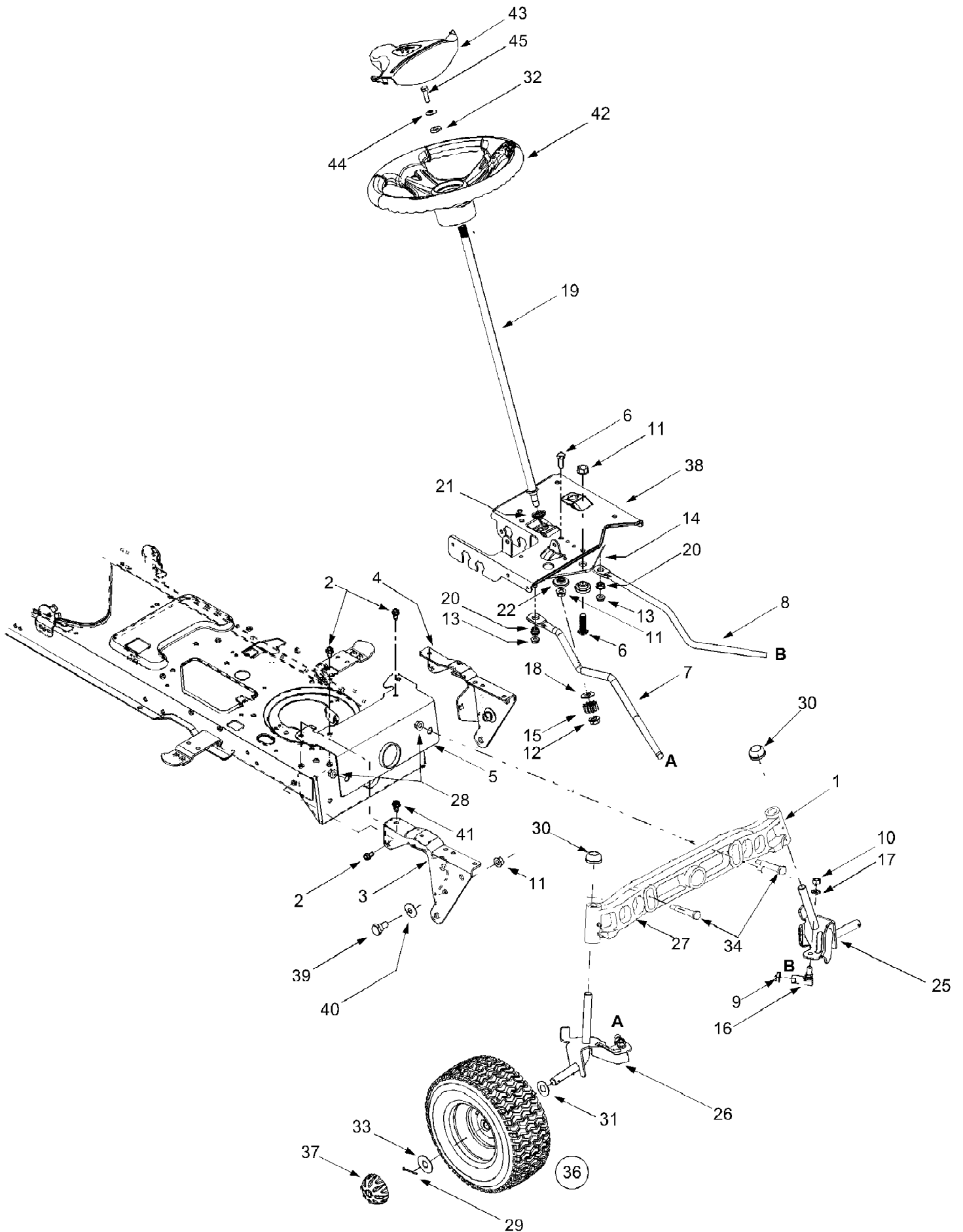
Ref #	Part Number	Qty	S/P/F	Description
1	747-1130B	1	/P	Deck Stabilizer Rod
2	683-0197B	1	S	Lift Shaft Assembly
3	711-0332	1	S	Clevis Pin, .5 x .78
4	712-3083	1	/P	Lock Nut, 1/2-13
5	712-0130	1	/P	Lock Nut, 3/8-16
6	712-0429	1	S	Lock Nut, 5/16-18
7	712-3083	1	/P	Hex Nut, 1/2-13
8	714-0104	1	S	Internal Cotter Pin
9	714-04023	1	S	Internal Cotter Pin
10	716-0106A	1		E-Ring
11	720-0311	1		Handle Grip: Deck Lift Lever
12	732-0874	1	/P	Torsion Spring
13	732-1184	1	/P	Extension Spring
14	736-0275	1	S	Flat Washer, 5/16
15	736-0921	1	S	Lock Washer, 1/2
16	736-3019	1		Flat Washer, .31 x 1.062 x .134
17	736-3084	1	/P	Flat Washer, .51 x 1.12 x .06
18	738-0138A	1	/P	Hex Cap Screw, 5/16-18 x .62
19	738-0143	1	/P	Shoulder Screw, 3/8-16
20	741-0225	1	S	Hex Flange Bearing
21	741-0715	1	S	Snap Flange Bearing
22	746-0968	1		Lift Cable, 16.16
23	747-1111A	1	/P	Lift Handle
24	756-1154	1		Roller Pulley
25	783-0678A	1	S	Arm Lift
26	783-0720A	1	S	Deck Stabilizer Bracket
27	710-0260A	1	/P	Carriage Bolt, 5/16 x .62
28	710-0604A	1	/P	Self-Tapping Screw, 5/16-18 x .625
29	710-0895	1		Self-Tapping Screw, 1/4-15 x .75
30	731-1990	1		Lift Lever Cover
31	731-1993	1		Cover w/ Cup Holder
32	736-3078	1	/P	Flat Washer, .349 x 1.0 x .063
33	783-0677	1	S	Lift Adjustment Bracket
34	783-04333	1		Fender
35	783-1489	1	S	Seat Mounting Bracket
36	783-0209C	1	S	Lift Bracket: Seat
37	712-3027	1	S	Hex Flange Lock Nut, 1/4-20
38	731-04074	1		Spacer
39	738-04012	1	S	Shoulder Screw 3/8-16
40	726-0201	1		Speed Nut
41	736-0175	1	S	Spring Washer, .265 x .562 x .025
42	736-0204	1	/P	Flat Washer, .344 x .62 x .03
43	738-0296	1	S	Shoulder Screw
44	738-0966	1	S	Shoulder Screw, .50 x .925, 3/8-16
45	710-0599	1	/P	Self-Tapping Screw 1/4-20 x 0.5"
46	783-0738A	1	S	Seat Pivot Bracket
47	720-0309A	1	/P	Adjustment Grip: Seat
48	783-0753	1		Seat Adjustment Selector
49	757-04014A	1	S	Medium Back Seat, Black
50	735-0656	1		RH Foot Pad
51	735-0657	1		LH Foot Pad
	726-3046	1	/P	Foot Pad Clips (Not Shown)
52	714-0111	1		

13AJ616G790 LT-1855H (2004)  
Seat, Fender, Deck Stabilizer

Page 16 of 18

Ref #	Part Number	Qty	S/P/F	Description
53	731-0511	1	/P	Trim Strip
54	783-1031A	1		Hitch Plate
55	683-0304C	1		Lower Frame Assembly
56	732-0499	1		Compression Spring
57	710-1268	1	/P	B Screw #10-16
58	783-0611	1		Seat Stop
59	783-0739	1		Seat Adj. Lever
60	738-0137A	1	S	Shoulder Screw
61	712-0324	1	/P	Lock Nut





13AJ616G790 LT-1855H (2004)  
Steering, Front Axle And Wheels

Page 18 of 18

Ref #	Part Number	Qty	S/P/F	Description
1	719-0525C	1	S	Pivot Bar: Axle
2	710-0604A	1	/P	Self-tapping Screw, 16-18 x .625
3	783-0726B	1	S	RH Pivot Support Bracket
4	783-0727A	1	S	LH Pivot Support Bracket
5	783-0728	1		Pivot Bar Bracket
6	710-0723	1	/P	Hex Cap Screw, 3/8-16 x 1.25 (Grade 5)
7	711-1408	1		RH Drag Link
8	711-1409A	1	/P	LH Drag Link
9	712-0240	1	S	Jam Nut, 7/16-20
10	712-0214	1	S	Hex Nut, 3/8-24
11	712-0130	1	/P	Lock Nut, 3/8-16
12	712-0459	1	/P	Flange Lock Nut, 7/16-20
13	712-0429	1	S	Lock Nut, 5/16-18
14	717-1550E	1	S	Steering Gear, 11/90 Ratio
15	717-1554	1		Steering Pinion Gear
16	723-0448A	1	S	Ball Joint, 7/16-20
18	736-3084	1	/P	Flat Washer, .51 x 1.12 x .06
19	738-1001A	1	/P	Steering Shaft, .625 OD x 24.4
20	741-0475	1	S	Plastic Bushing, .38 ID
21	741-0656	1	S	Hex Flange Bearing, 5/8
22	738-0372B	1	/P	Shoulder Spacer, .38 ID
23	631-0027	1	S	Standard Steering Wheel, 13.25
24	731-0220	1	S	Steering Wheel Cap, Round
25	638-04003	1	S	LH Axle Assembly, .750 Diameter
26	638-04004	1	S	RH Axle Assembly, .750 Diameter
27	719-0525C	1	S	Steel Pivot Bar
28	712-0130	1	/P	Lock Nut, 3/8-16
29	714-0162	1	/P	Cotter Pin
30	726-0214	1	/P	Push Cap, .625
31	736-0316	1	S	Flat Washer, .64 x 1.0 x .12
32	736-3004	1	S	Flat Washer, .406 x .875 x .105
33	736-0285	1	/P	Flat Washer, .635 x 1.589 x .06
34	738-1011	1	S	Shoulder Screw, .5 x 2.2, 3/8-16
36	634-04099	1		Wheel Assembly
36	634-04091	1		Rim Assembly Only (Not Shown)
36	734-0255	1	S	Air Valve (Not Shown)
36	734-1731	1		Tire Only, Square Shoulder
36	737-0224	1		Grease Fitting (Not Shown)
36	741-3032	1	S	Ball Bearing (Not Shown)
37	731-2290A	1	/P	Deluxe Hub Cap
38	783-0653F	1	S	Steering Support Bracket
39	738-0143	1	/P	Shoulder Screw, 3/8-16
40	736-0331	1	/P	Bell Washer, .39 x 1.13 x .062
41	710-1260A	1	/P	Self-tapping Screw, 5/16-18 x .75
42	631-04008	1	S	Steering Wheel, Soft Grip, Three Spoke
43	731-04065	1		Steering Wheel Cap, Round
45	710-0643	1	/P	Hex Bolt, 5/16-18 X 1